

Continuous Inkjet Printer

Easy maintenance

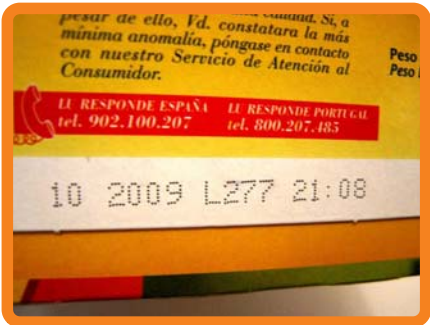
User friendly screen and keypad

Modular designed electronics

Low solvent consumption

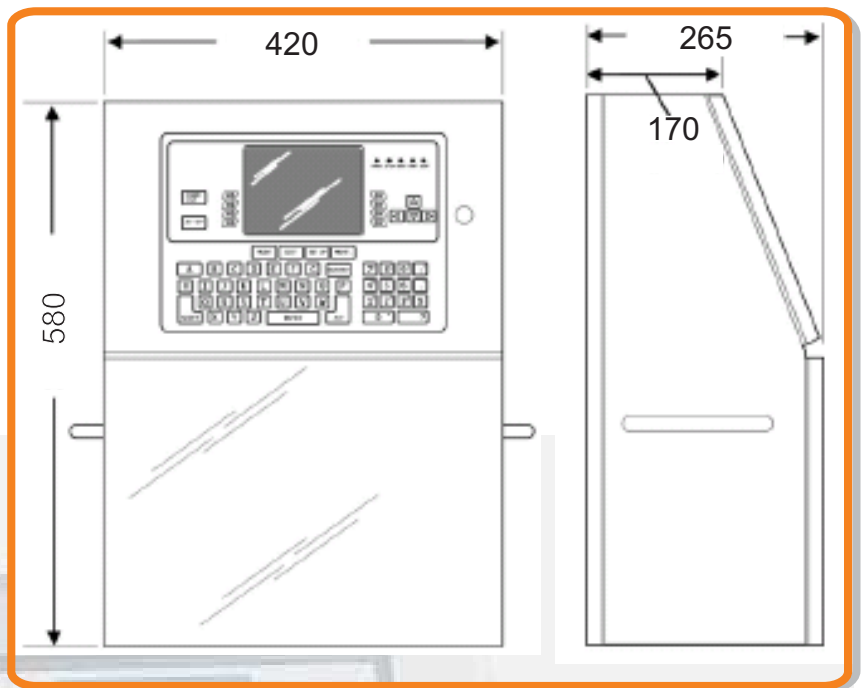
Wide range of inks

No factory air needed



Design strengths:

- New ink circuit pressurized by gear pump: no factory air supply needed.
- Endurable printhead and easy to maintain.
- 3m umbilical, tight and very resistant.
- Stainless steel cabinet with three doors to make easily preventive maintenance.
- Its IP55 grade enables it to work under hard environments.
- Includes an auto-flush program to withstand long shut-down periods.
- User friendly keypad and screen, with status LEDs.
- Protection by password against unauthorized use.
- Connectivity: serial port RS232, alarm output, product sensor and shaft encoder.
- Variable codes: current date/hour, expiry dates, shifts and counters.
- Fonts 7x5, 7x7, 10x7, 16x10 and 24x8; for logos: 16x16 and 24x8.
- Codebars: EAN8, EAN13, UPCA, Code128, EAN128 and Datamatrix.
- Availability of environmental friendly inks, food grade and pigmented.
- Continuous printing mode.
- Throw distance from 3 to 15 mm.
- Printing heights from 2 to 20 mm.
- Built in logo editor.
- 25 messages and 26 logos storage.
- Three nozzle sizes in option: 65 µm, 75 µm and 85 µm.



Font	Printed lines	Characters per second	m/min at 4 caract./cm
7x5	1 line	1500	225
	2 lines	476	75
	3 lines	140	21
7x7	1 line	806	121
	2 lines	351	55
	3 lines	106	16
16x10	1 line	156	25
24x8	1 line	103	20

We are developing a new 5x5 dot matrix that will reach a printing speed of 350 m/min at a 4 characters per cm.

Low ownership costs:

- Long periods between maintenaces.
- Modular design to ease repairs and reducing their costs.
- Low solvent consumption.
- The printer is released with these accessories:

- * 8x10 and 14x17 mm wrenches
- * complete filter set
- * magnifier x10
- * two cabinet keys
- * wash bottle
- * rubber ball
- * photocell, wire and bracket
- * printhead stand

© 2009 Tidirefi Ink Europe Group. All rights reserved. Tidirefi keeps on improving his products, so, the designs and/or specifications can be altered without notice.



www.tidirefi.com / info@tidirefi.com

TIDIREFI INK EUROPE GROUP

C/ Estambreira nº 38, nave 13
26006 LOGROÑO - LA RIOJA - ESPAÑA

Telf.: 00 34 941 501404

Fax: 00 34 941 501405